

S-Class Professional

230 Wp ■ 235 Wp ■ 240 Wp ■ 245 Wp

The premium solution for professional use.

- Suitable for professional continuous use - even near the coast
- Highest yields even in diffused light
- May be installed on pitched and flat roofing, as well as free-standing
- Drainage holes in the frame to prevent frost damage
- Award-winning anti-reflective glass
- Lockable plug connectors
- Positive performance classification
- Manufactured in the CENTROSOLAR Sonnenstromfabrik, certified according to DIN EN ISO 9001:2008 and 14001:2009
- Up to 5,400 Pa load
- 10 years product warranty*
- up to 26 years performance warranty*



* You can find detailed information in the Centrosolar AG warranty conditions.



- Qualified, IEC 61215
- Safety tested, IEC 61730
- Periodic Inspection



Salt spray test according to DIN EN ISO 9227-NSS



S-Class Professional monocrystalline

Output under STC*

Module type	S 230M60 Professional	S 235M60 Professional	S 240M60 Professional	S 245M60 Professional	
Rated output (P _{mpp})	230	235	240	245	Wp
Short-circuit current (I _{sc})	8.48	8.59	8.70	8.82	A
Open-circuit voltage (U _{oc})	36.39	36.46	36.53	36.60	V
Voltage (U _{mpp})	28.65	28.70	28.75	28.80	V
Current (I _{mpp})	8.03	8.19	8.35	8.51	A
Module efficiency η	14.0	14.3	14.6	14.9	%

* Under standard testing conditions STC (1,000 W/m², spectrum AM 1.5, cell temperature 25 °C)

Output at 800 W/m², NOCT, AM 1.5

Module type	S 230M60 Professional	S 235M60 Professional	S 240M60 Professional	S 245M60 Professional	
Rated output (P _{mpp})	166	169	173	177	Wp
Short-circuit current (I _{sc})	6.81	6.89	6.98	7.08	A
Open-circuit voltage (U _{oc})	32.98	33.05	33.11	33.17	V
Voltage (U _{mpp})	25.33	25.37	25.42	25.46	V
Current (I _{mpp})	6.54	6.67	6.80	6.93	A

Thermal properties

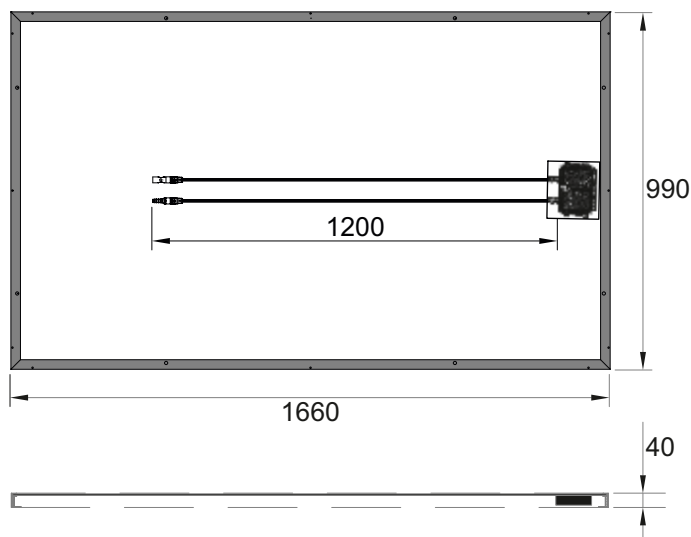
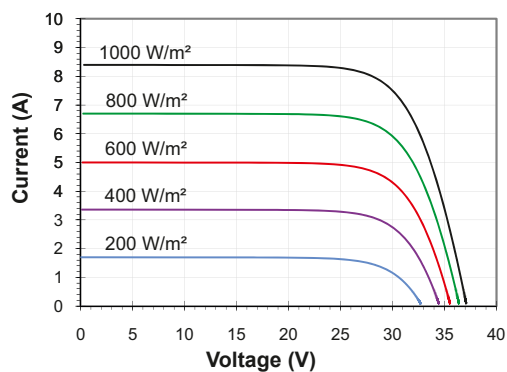
TK P _{mpp}	-0.43 %/K
TK U _{oc}	-0.35 %/K
TK I _{sc}	0.03 %/K
NOCT	46 ± 2 °C

Other technical data

Class range (Positive Classification)	-0/+4.99 W
Max. system voltage	1000 V
Weight	20 ± 0.5 kg
Reverse current carrying capacity IR	15 A
Measuring Accuracy P _{mpp} at STC	± 3 %

Materials used

Number of cells	60
Cell dimensions	156 mm x 156 mm
Front	hardened solar glass
Junction box	IP65



S-Class Professional polycrystalline

Output under STC*

Module type	S 230P60 Professional	S 235P60 Professional	S 240P60 Professional	S 245P60 Professional	
Rated output (Pmpp)	230	235	240	245	Wp
Short-circuit current (Isc)	8.48	8.59	8.70	8.82	A
Open-circuit voltage (Uoc)	36.39	36.46	36.53	36.60	V
Voltage (Umpp)	28.65	28.70	28.75	28.80	V
Current (Impp)	8.03	8.19	8.35	8.51	A
Module efficiency η	14.0	14.3	14.6	14.9	%

* Under standard testing conditions STC (1,000 W/m², spectrum AM 1.5, cell temperature 25 °C)

Output at 800 W/m², NOCT, AM 1.5

Module type	S 230P60 Professional	S 235P60 Professional	S 240P60 Professional	S 245P60 Professional	
Rated output (Pmpp)	166	169	173	177	Wp
Short-circuit current (Isc)	6.81	6.89	6.98	7.08	A
Open-circuit voltage (Uoc)	32.98	33.05	33.11	33.17	V
Voltage (Umpp)	25.33	25.37	25.42	25.46	V
Current (Impp)	6.54	6.67	6.80	6.93	A

Thermal properties

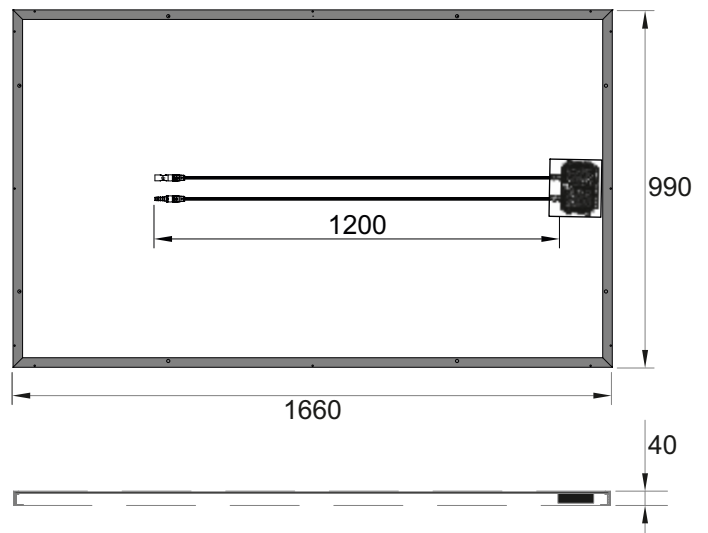
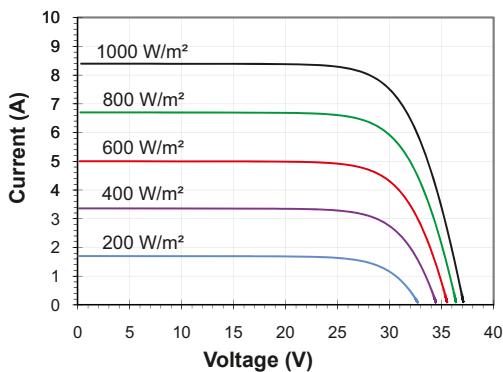
TK Pmpp	-0.43 %/K
TK Uoc	-0.35 %/K
TK Isc	0.03 %/K
NOCT	46 ± 2 °C

Other technical data

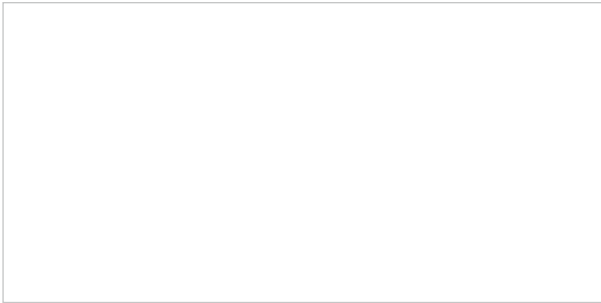
Class range (Positive Classification)	-0/+4.99 W
Max. system voltage	1000 V
Weight	20 ± 0.5 kg
Reverse current carrying capacity IR	15 A
Measuring Accuracy Pmpp at STC	± 3 %

Materials used

Number of cells	60
Cell dimensions	156 mm x 156 mm
Front	hardened solar glass
Junction box	IP65



Your CENTROSOLAR partner:



Sunshine is our business.

GERMANY

CENTROSOLAR AG
Stresemannstraße 163
22769 Hamburg
GERMANY
Tel.: +49 40 391065-0
hamburg@centrosolar.com

CENTROSOLAR AG
Otto-Stadler-Straße 23c
33100 Paderborn
GERMANY
Tel.: +49 5251 50050-0
paderborn@centrosolar.com

CENTROSOLAR AG
Daimlerstraße 22
87437 Kempten
GERMANY
Tel.: + 49 831 540214-0
kempten@centrosolar.com

INTERNATIONAL

CENTROSOLAR AMERICA INC.
8350 E. Evans Road, Suite E-1
Scottsdale, AZ 85260
USA
Tel.: +1 480 3482555
info.usa@centrosolar.com

CENTROSOLAR BELGIUM BVBA
Uitbreidingstraat 80
2600 Berchem
BELGIUM
Tel.: +31 344 767002
info.benelux@centrosolar.com

CENTROSOLAR BENELUX B.V.
De Prinsenhof 1.05
4004 LN Tiel
THE NETHERLANDS
Tel.: +31 344 767002
info.benelux@centrosolar.com

CENTROSOLAR CANADA INC.
3415 14th Avenue, Unit C
Markham, Ontario, L3R OH3
CANADA
Tel.: +1 9056044012
info.can@centrosolar.com

CENTROSOLAR FOTOVOLTAICO
ESPAÑA S.L.
Moll de Barcelona s/n
Edifici Nord, 7a planta
08039 Barcelona
SPAIN
Tel.: +34 93 3435048
info.espana@centrosolar.com

CENTROSOLAR FRANCE SARL
Espace Européen
15, chemin du Saquin, Batiment G
69130 Ecully
FRANCE
Tel.: +33 4 69848210
info.france@centrosolar.com

CENTROSOLAR HELLAS MEPE
Ag. Alexandrou 57-59
17561 Paleo Faliro
GREECE
Tel.: +30 210 6228791
info.hellas@centrosolar.com

CENTROSOLAR ITALIA S.R.L.
V.le del Lavoro 33
37036 S. Martino B.A. Verona
ITALY
Tel.: +39 045 8781225
info.italia@centrosolar.com

CENTROSOLAR UK LTD
Building 3, Chiswick Business Park
566 Chiswick High Road
London W4 5YA
GREAT BRITAIN
Tel.: +44 20 88495740
info.uk@centrosolar.com