

## SOLAR MODULE HYBRID (AMORPHOUS A. MICROCRYSTALLINE TECHNOLOGY)

---

### Kaneka HB100, HB105, HB110

---



#### PRODUCT ADVANTAGES:

Applicable for grid connection and 48 V stand-alone system

---

Power guarantees\*

- 25 years (80 %)
  - 12 years (90 %)
- 

5 years product guarantee\*

---

IEC 61646 tested and certified

---

IEC 61730, Application Class A for a system voltage up to 600 V

---

Produced in ISO 9001 certified plants

---

Power tolerance +10 % ... -5 %

---

Higher yield on plant thanks to higher initial power

---

High yields even at high module temperatures

Extremely low consumption on material

---

Fast and inexpensive mounting:

- Delivered ready for connection
  - Pre-confectioned cables
  - Multi-Contact plug-in connectors
  - Integrated bypass diodes
- 

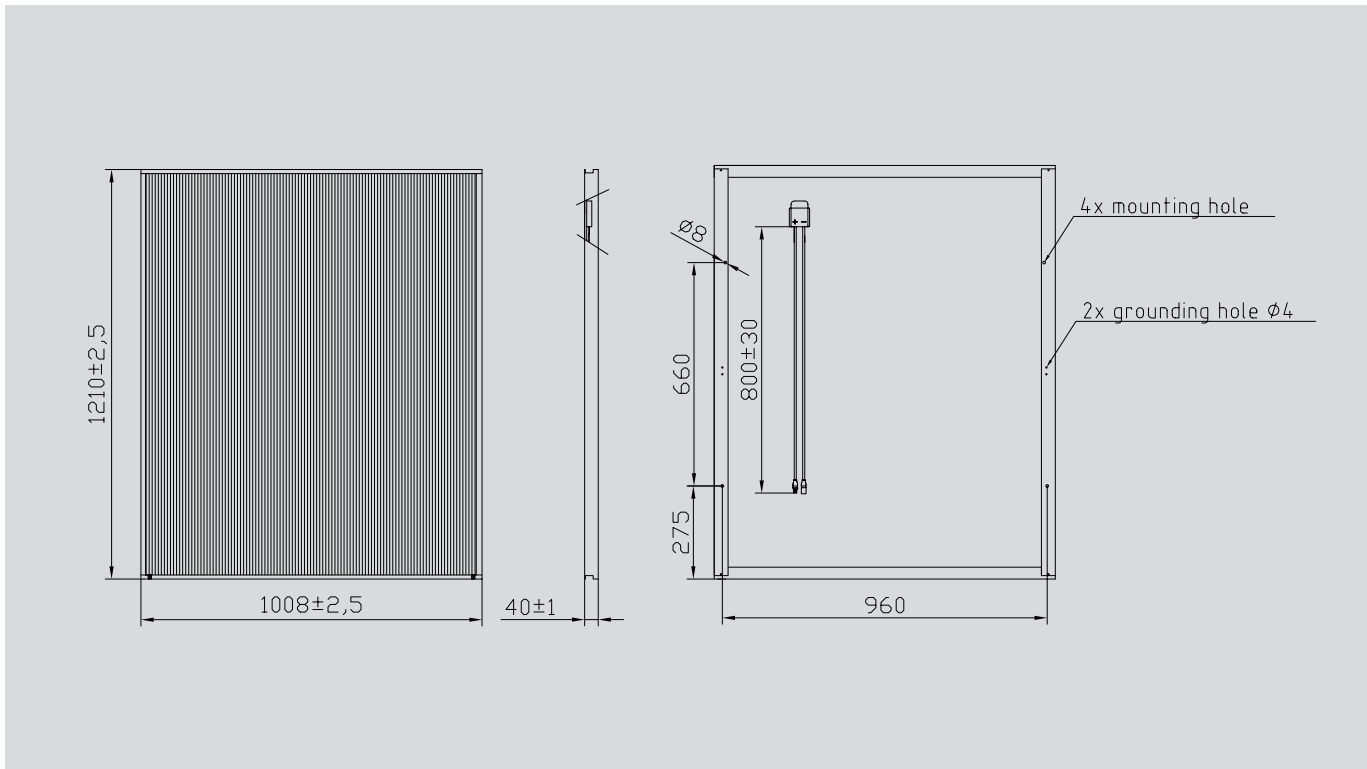
Energy payback time less than 2 years

---

Homogeneous colouring of frame and module surface high-class, harmonic appearance

---

100 % end control with individual registration of the electrical characteristics



Dimensioned drawing Kaneka HB100, HB105, HB110

## TECHNICAL DATA

Kaneka		HB100		HB105		HB110	
		Stabilised values	Initial values	Stabilised values	Initial values	Stabilised values	Initial values
Nominal peak power	Wp	100.0	130.0	105.0	136.5	110.0	143.0
Guaranteed minimum power	Wp	95.0	123.5	99.7	129.6	104.5	135.8
Nominal voltage	V	53.5		53.5		54.0	
Nominal current	A	1.87		1.96		2.04	
Open circuit voltage	V	71.0	81.7	71.0	81.7	71.0	81.7
Short-circuit voltage	A	2.25		2.40		2.50	
Temperature coefficient of $I_{sc}$	%/K	+0.10		+0.10		+0.10	
Temperature coefficient of $U_{oc}$	mV/K	-248		-248		-248	
Temperature coefficient of $P_{max}$	%/K	-0.33		-0.33		-0.33	
Length	mm	1210		1210		1210	
Width	mm	1008		1008		1008	
Height	mm	40		40		40	
Weight	kg	18		18		18	
Mounting holes Ø 8 mm	Stück	4		4		4	
Article numbers		260040100		260040105		260040110	

### Attention:

The laser lines must run vertically and the module has to be installed with at least 5° inclination. Please observe the installation instructions.

\* The complete warranty conditions are binding as per your relevant version, a copy of which can be requested from your IBC SOLAR specialist partner.

Initial values are maximum values.

Electrical values under standard test conditions: 1000 W/m<sup>2</sup>; 25 °C; AM 1.5.

Subject to technical changes for further improvements.

08-2008