

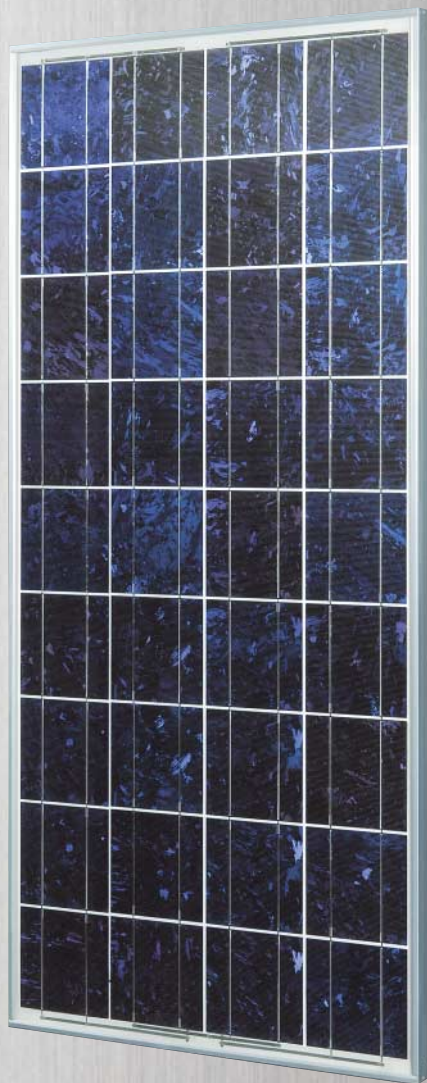
**AE series**

PV-AE 130MF5N 130Wp

PV-AE 125MF5N 125Wp

PV-AE 120MF5N 120Wp

PV-AE 115MF5N 115Wp



**T  
o  
p  
Q  
u  
a  
l  
i  
t  
y**

**High Efficiency**

- Solder-coatingless cells
- Fine Grid Electrodes
- BSF (Back Surface Field) Structure
- Anti-Reflective Coating
- Back Film Reflected Light
- High Reflectance Back Film
- Celium-Free/High-Transmittance Glass
- High Power in Actual Use

**High Reliability**

- Original derating designing concept
- Straight Tabs
- Double-Sided Independent Tabs
- Lower slope of module frame
- Higher Tensile Strength Structure
- Better Water Drainage Structure
- High-Corrosion Resistant Frame
- Max. System Voltage 1000V with Four-Layer Structure Back Film

**High Safety**

- Triple-Layer Structure Junction Box
- Highly Reliable Bypass Diode
- Lock Mechanism Equipped Connectors
- Lighter Weight 13.5kg per module

**Eco-Friendly**

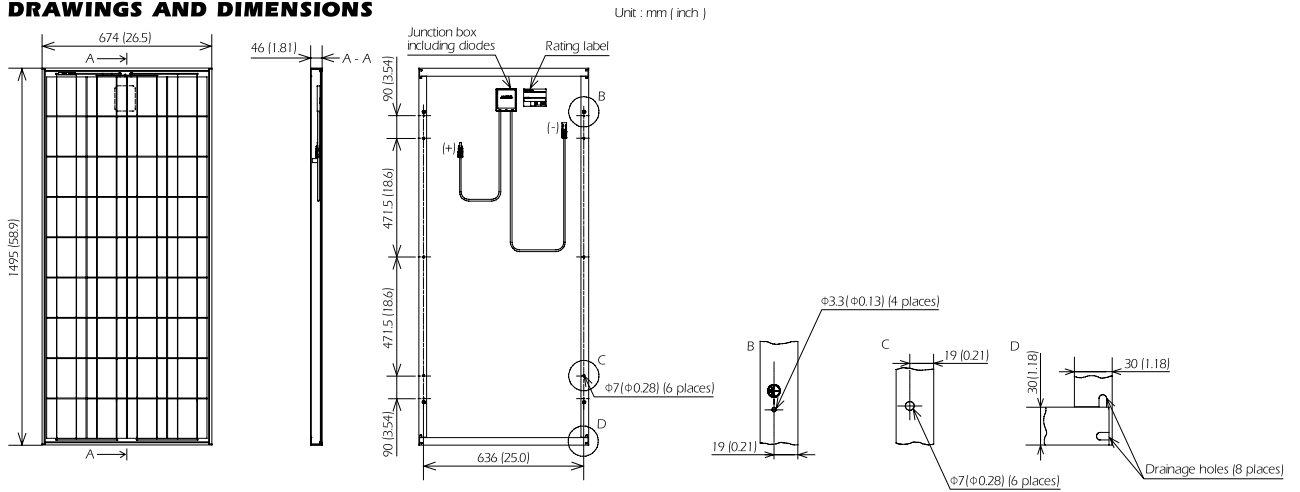
- Lead-free solder PV module
- Manufactured in the plant certified ISO 14001
- Recyclable steel pallets



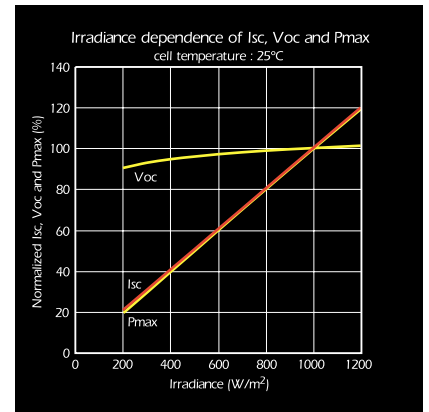
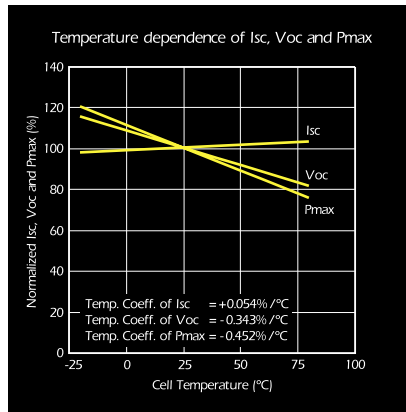
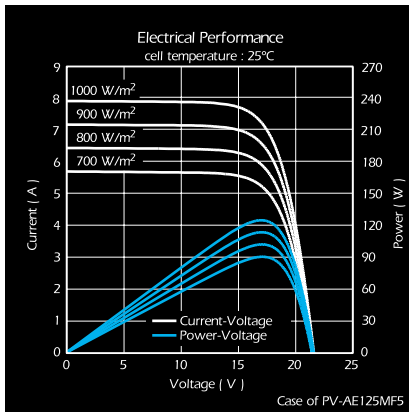
**SPECIFICATION SHEET**

Manufacturer	MITSUBISHI ELECTRIC			
Model name	PV-AE130MF5N	PV-AE125MF5N	PV-AE120MF5N	PV-AE115MF5N
Cell type	Polycrystalline Silicon, 156mm x 156mm			
Number of cells	36 cells in a series			
Maximum power rating(Pmax)	130W	125W	120W	115W
Warranted minimum Pmax	123.5W	118.8W	114.0W	109.3W
Tolerance of maximum power rating	+10/-5%			
Open circuit voltage (Voc)	21.9V	21.8V	21.6V	21.5V
Short circuit current (Isc)	8.05A	7.90A	7.75A	7.60A
Maximum power voltage (Vmp)	17.4V	17.3V	17.2V	17.1V
Maximum power current (Imp)	7.47A	7.23A	6.99A	6.75A
Normal operating cell temperature(NOCT)	47.5 degree C			
Maximum system voltage	DC 1000V			
Fuse rating	15A			
Dimensions	1495x674x46mm (58.9x26.5x1.81inch)			
Weight	13.5kg (29.8lbs.)			
Output terminal	(+)- 800mm/(-) 1250mm with MC connector (PV-KBT4/6II-UR, PV-KST4/6II-UR)			
Module efficiency	12.9%	12.4%	11.9%	11.4%
Packing condition	2 pcs - 1 carton			
Certificate	IEC 61215 edition 2(static load test 2400Pa passed)			

**DRAWINGS AND DIMENSIONS**



**ELECTRICAL CHARACTERISTICS**



SALES COMPANY MITSUBISHI ELECTRIC  
**MITSUBISHI ELECTRIC ASIA PTE LTD**  
 307 Alexandra Road Singapore 159943  
 Phone: +65-6470 2601 FAX: +65-6476 0590  
[www.MitsubishiElectric.com.sg](http://www.MitsubishiElectric.com.sg)

**MITSUBISHI ELECTRIC CORPORATION**  
 HEAD OFFICE: TOKYO BLDG., 2-7-3, MARUNOUCHI, CHIYODA-KU, TOKYO 100-8310, JAPAN